

# RackView LCD Drawer

Rack Mount LCD Sliding Drawer

## Installation and Operation Manual



ROSE.COM

# LIMITED WARRANTY

---

---

Rose Electronics® warrants the RackView LCD Drawer to be in good working order for one year from the date of purchase from Rose Electronics or an authorized dealer. Should this product fail to be in good working order at any time during this one-year warranty period, Rose Electronics will, at its option, repair or replace the Unit as set forth below. Repair parts and replacement units will be either reconditioned or new. All replaced parts become the property of Rose Electronics. This limited warranty does not include service to repair damage to the Unit resulting from accident, disaster, abuse, or unauthorized modification of the Unit, including static discharge and power surges.

Limited Warranty service may be obtained by delivering this unit during the one-year warranty period to Rose Electronics or an authorized repair center providing a proof of purchase date. If this Unit is delivered by mail, you agree to insure the Unit or assume the risk of loss or damage in transit, to prepay shipping charges to the warranty service location, and to use the original shipping container or its equivalent. You must call for a return authorization number first. Under no circumstances will a unit be accepted without a return authorization number. Contact an authorized repair center or Rose Electronics for further information.

ALL EXPRESS AND IMPLIED WARRANTIES FOR THIS PRODUCT INCLUDING THE WARRANTIES OF MERCHANTABILITY AND FITNESS FOR A PARTICULAR PURPOSE, ARE LIMITED IN DURATION TO A PERIOD OF ONE YEAR FROM THE DATE OF PURCHASE, AND NO WARRANTIES, WHETHER EXPRESS OR IMPLIED, WILL APPLY AFTER THIS PERIOD. SOME STATES DO NOT ALLOW LIMITATIONS ON HOW LONG AN IMPLIED WARRANTY LASTS, SO THE ABOVE LIMITATION MAY NOT APPLY TO YOU.

IF THIS PRODUCT IS NOT IN GOOD WORKING ORDER AS WARRANTIED ABOVE, YOUR SOLE REMEDY SHALL BE REPLACEMENT OR REPAIR AS PROVIDED ABOVE. IN NO EVENT WILL ROSE ELECTRONICS BE LIABLE TO YOU FOR ANY DAMAGES INCLUDING ANY LOST PROFITS, LOST SAVINGS OR OTHER INCIDENTAL OR CONSEQUENTIAL DAMAGES ARISING OUT OF THE USE OF OR THE INABILITY TO USE SUCH PRODUCT, EVEN IF ROSE ELECTRONICS OR AN AUTHORIZED DEALER HAS BEEN ADVISED OF THE POSSIBILITY OF SUCH DAMAGES, OR FOR ANY CLAIM BY ANY OTHER PARTY.

SOME STATES DO NOT ALLOW THE EXCLUSION OR LIMITATION OF INCIDENTAL OR CONSEQUENTIAL DAMAGES FOR CONSUMER PRODUCTS, SO THE ABOVE MAY NOT APPLY TO YOU. THIS WARRANTY GIVES YOU SPECIFIC LEGAL RIGHTS AND YOU MAY ALSO HAVE OTHER RIGHTS WHICH MAY VARY FROM STATE TO STATE.

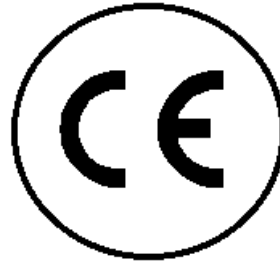
# DECLARATIONS OF CONFORMITY

---

---

This is to certify that, when installed and used according to the instructions in this manual, the units listed and described here are shielded against the generation of radio interferences in accordance with the application of Council Directives 2014/30/EU and 2014/30/EU, as well as these standards:

- EN 55022: 2010/AC:2011 (Class B)
- EN 55024:2010 + A1:2015



This equipment has been found to comply with the limits for a Class A digital device, pursuant to Part 15 of the FCC Rules. These limits are designed to provide reasonable protection against harmful interference when the equipment is operated in a commercial environment. This equipment generates, uses, and can radiate radio frequency energy and, if not installed and used in accordance with the instruction manual, may cause harmful interference to radio communications. Operation of this equipment in a residential area is likely to cause harmful interference in which case the user will be required to correct the interference at their own expense.

This equipment fully complies with the requirements of European Union Regulation (EC) 1907/2006 concerning the Registration, Evaluation, Authorization and Restriction of Chemicals (REACH):

These devices comply with Directive 2011/65/EU of the European Parliament and of the council of 8 June 2011 on the restriction of the use of certain hazardous substances in electrical and electronic equipment (RoHS 2, RoHS II). The device labels carry a respective marking.

# TABLE OF CONTENTS

---

---

## Contents

Disclaimer	1
System Introduction	1
Features	1
RackView LCD Drawer Options	1
Package Contents	2
Additional Items Required	2
Before Installation	2
RackView LCD Drawer Models	3
RackView LCD Drawer - Rear Connector Layout	3
RackView LCD Drawer Chassis Dimensions	4
Operating the RackView LCD Drawer	7
OSD Operation	7
PIP and PBP Operation	9
Safety	11
Maintenance and Repair	12
Technical Support	12

## Figures

Figure 1. RackView LCD drawer – front panel layout	3
Figure 2. RackView LCD drawer - rear panel connector layout	3
Figure 3. RackView LCD drawer – chassis dimensions	4
Figure 4. Installation steps for mounting the RackView LCD Drawer	6
Figure 5. OSD operation and control	7
Figure 6. OSD configuration and settings	8
Figure 7. PIP and PBP settings and operation	9
Figure 8. PIP and PBP video sources	10
Figure 9. Schematic showing the back panel with the touchscreen option (USB-A) installed	15
Figure 10. Touchscreen setup procedure	16
Figure 11. Back Drawer of the RackView LCD drawer showing standard and optional connectors	17
Figure 12. RackView LCD drawer with DC power connector fitted	19
Figure 13. RackView DC power options	19

## Tables

Table 1. RackView LCD Drawer – weights and dimensions.....	14
Table 2. Touchscreen options.....	15
Table 3. RackView LCD drawer video options.....	16
Table 4. 3G/HD/SD-SDI video formats .....	17
Table 5. DVI-D, VGA, and HDMI video formats.....	18

## Appendices

Appendix A – Specifications	13
Appendix B – Part Numbers	14

# TABLE OF CONTENTS

---

---

Appendix C – Weight and Dimensions	14
Appendix D – Touchscreen Options	15
Appendix E – RackView LCD Drawer Video Options	16
Appendix F – RackView DC Power Options	19

# INTRODUCTION

---

## Disclaimer

---

While every precaution has been taken in the preparation of this manual, the manufacturer assumes no responsibility for errors or omissions. Neither does the manufacturer assume any liability for damages resulting from the use of the information contained herein. The manufacturer reserves the right to change the specifications, functions, circuitry of the product, and manual content at any time without notice.

The manufacturer cannot accept liability for damages due to misuse of the product or other circumstances outside the manufacturer's control. The manufacturer will not be responsible for any loss, damage, or injury arising directly or indirectly from the use of this product (See limited warranty).

## System Introduction

---

Thank you for choosing the Rose Electronics RackView LCD drawer. The RackView drawer is available in several different high-performance LCD display sizes. All RackView drawers are rack-mountable and operation follows the same general procedure for each LCD drawer type.

The latest RackView 17" 4K LCD drawer features video resolutions up to 3840 × 2160

The instructions in this manual assume a general knowledge of computer installation procedures, familiarity with cabling requirements, and some understanding video display device operation.

## Features

---

- Rackmountable sliding LCD display drawer
- Available in 17", 19", and 20" models with widescreen, HD, and touchscreen formats
- DVI and VGA video resolutions from 1280 × 1024 to 1920 × 1200
- The 17" 4K LCD drawers features a DisplayPort 1.2 video interface with resolutions up to 3840 × 2160
- The 17" widescreen LCD drawer supports 1920 × 1080 (1080p) and the 17" high-resolution version supports 1920 × 1200.
- PIP screen format is available on the 17" Widescreen and 17"FHD models
- The display OSD allows for easy adjustments of video source, color, brightness, contrast, position. The OSD is easily accessible and controlled via front mounted push buttons.
- Quick and easy "One Man" rack mounting installation.

## RackView LCD Drawer Options

---

- HDMI with audio
- S-Video + Composite (BNC) with audio
- 3G/HD/SD-SDI broadcast grade video with audio
- USB-HID touchscreen available on 17", 19", 17"Widescreen, 17"FHD, 17"4K models
- DC power, 12, 24, 48V, 125V, 250V

## Package Contents

---

The package contents consist of the following:

- 1 × RackView LCD drawer unit
- 1 × Set of mounting accessories (nuts, washers, screws)
- 1 × Video interface cable
- 1 × External power adapter
- 1 × Power cable
- 1 × Manual

Some RackView LCD Drawer units can include additional mounting accessories.

## Additional Items Required

---

Depending on the installation environment, a longer video cable may be required. The standard cable length is 6ft (2.0m). Longer cable lengths of 10ft and 15ft are available from Rose Electronics.

## Before Installation

It is very important to mount the equipment in a suitable cabinet or on a stable surface.

Make sure the mounting location has good ventilation, is out of direct sunlight, and away from sources of excessive dust, dirt, heat, water, moisture and vibration.

# MODELS

## RackView LCD Drawer Models

The RackView LCD drawer is available in seven different models. The main differences between each of the models is the display size and video resolution capabilities. There are several options available that can differ with each model of the RackView LCD drawer. The options for each model are explained in the Appendix pages of this manual. The illustration below shows the general layout of the RackView LCD drawer.

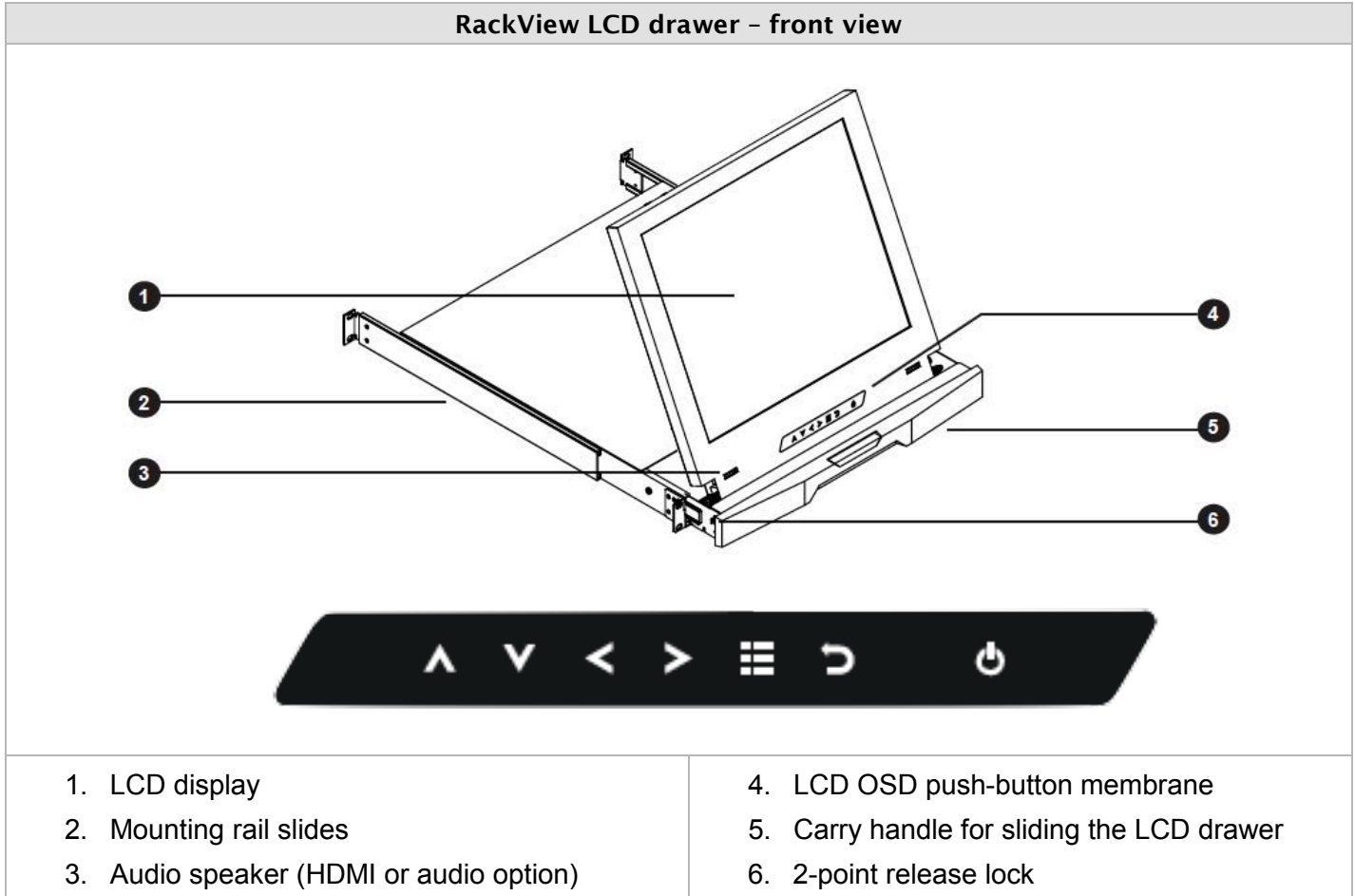


Figure 1. RackView LCD drawer – front panel layout

Depending on the RackView LCD drawer model, the push-button membrane can be either horizontally mounted underneath the display, or vertically mounted to one side of the display.

## RackView LCD Drawer - Rear Connector Layout

The RackView LCD drawer rear panel has an HD15(VGA) and a DVI-D connector as standard. This diagram shows the approximate positioning of the connectors on the rear panel of the RackView LCD drawer.

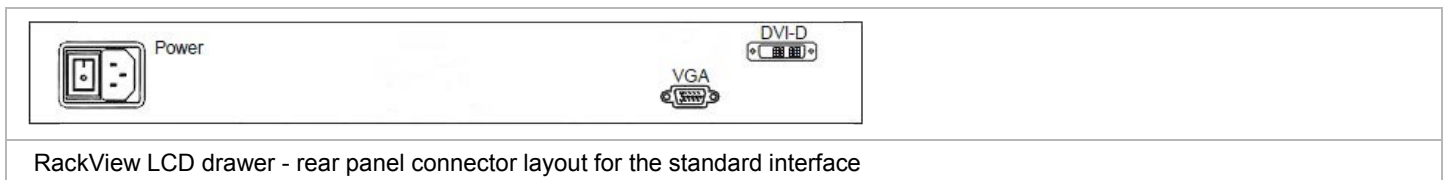


Figure 2. RackView LCD drawer - rear panel connector layout



## RackView LCD Drawer Chassis Dimensions

The top and front dimensions of each of the RackView LCD drawers are shown below in millimeters

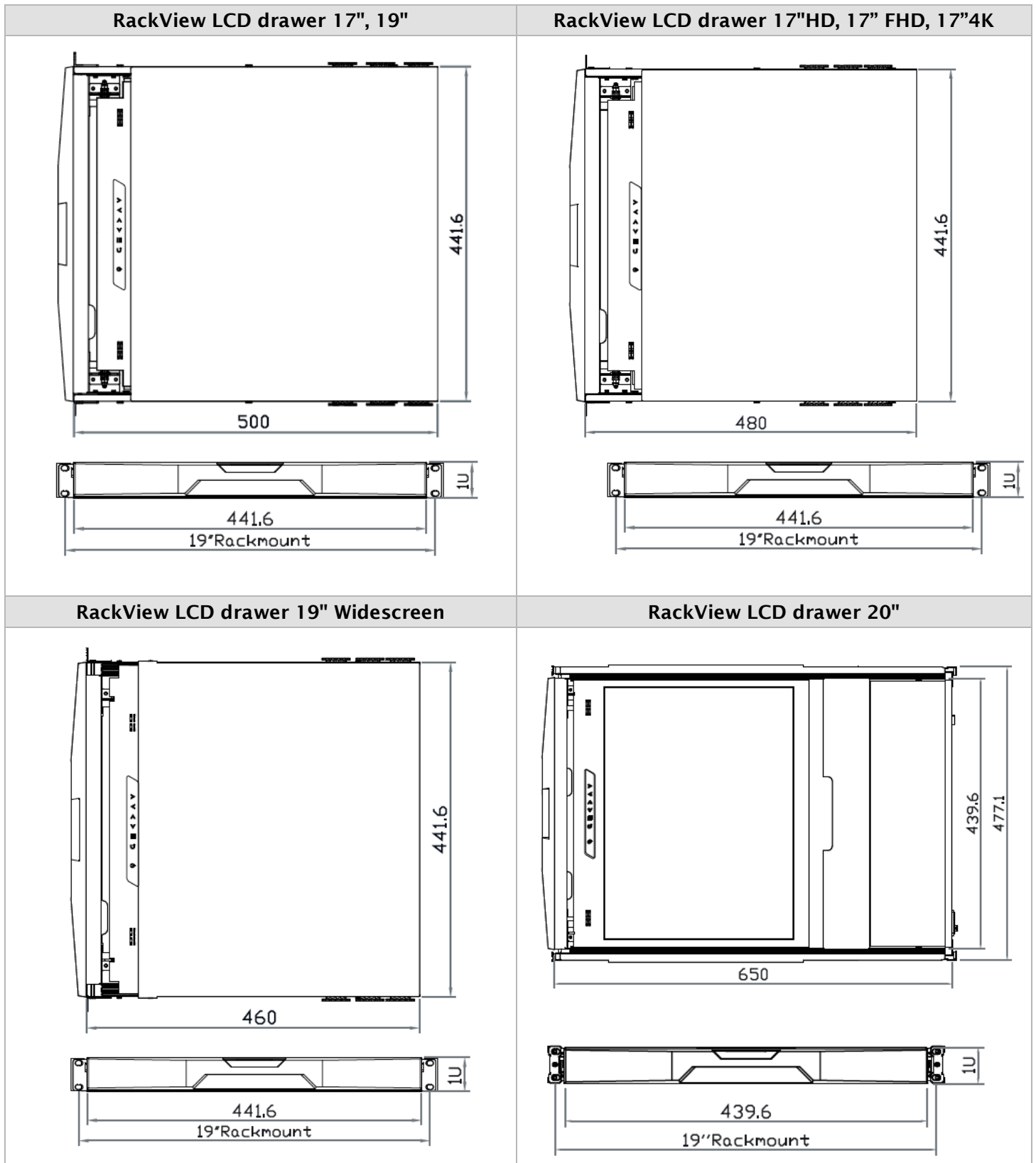
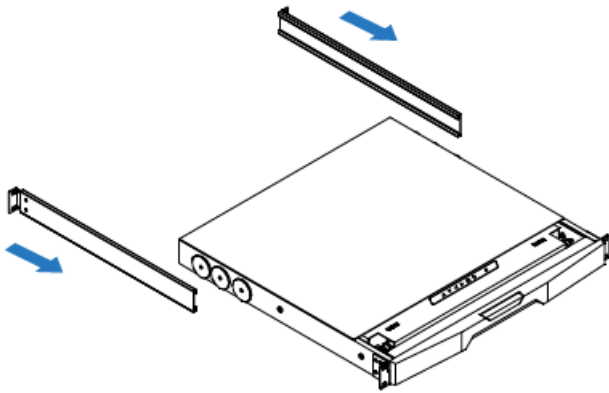


Figure 3. RackView LCD drawer – chassis dimensions

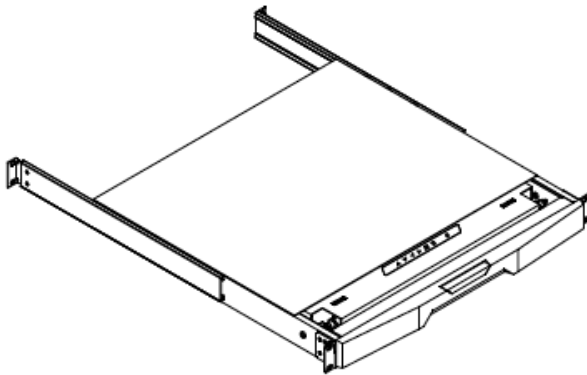
# INSTALLATION AND OPERATION

## Installation steps for RackView LCD drawers - 17", 19", 17" Widescreen, 17" FHD, 19" Widescreen



### Step 1

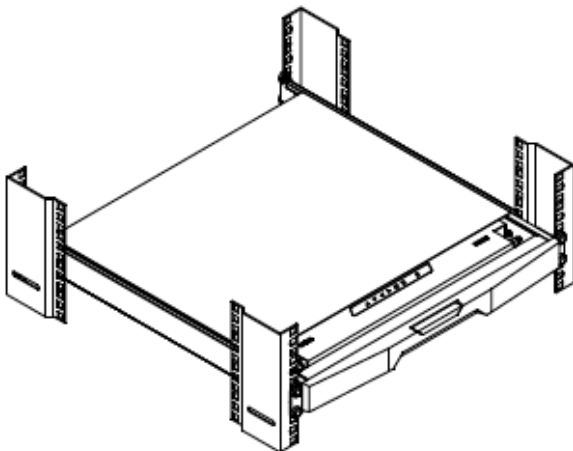
Insert the left and right rear mounting brackets into the RackView chassis



### Step 2

Measure the depth of the rack between the front and rear mounting rails.

Align each rear mounting bracket to the desired length



### Step 3

Fix the LCD display drawer into the rack

## Installation steps for RackView LCD drawer 20"

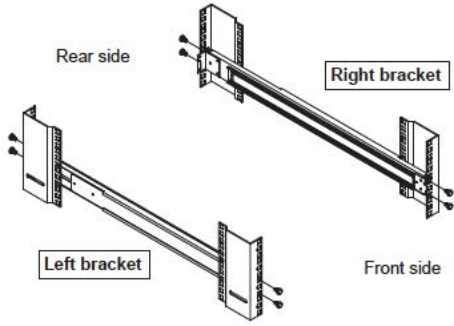
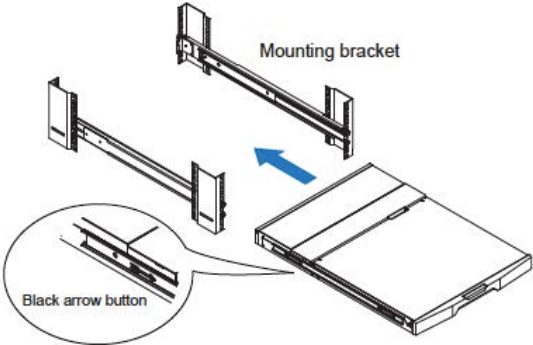
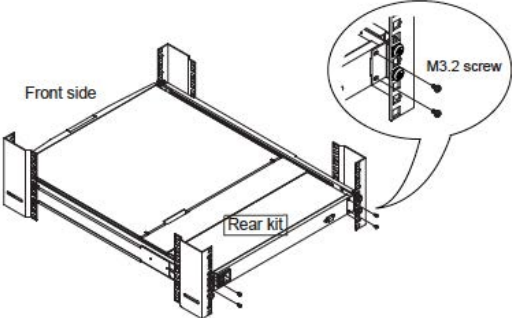
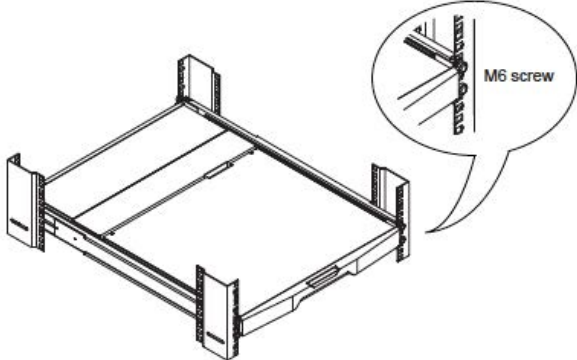
	<p><b>Step 1</b></p> <p>Attach the left and right mounting rails to the rack.</p> <p>Adjust the length of the mounting rails to fit the rack depth</p> <p>Leave the M6 screws slightly loose until completion of Step 3.</p>
	<p><b>Step 2</b></p> <p>Pick up the LCD tray and from the front of the rack, insert the tray into the mounting rails.</p> <p>Pull and hold the left and right black arrow buttons on the rails.</p> <p>Return the LCD tray to the park position</p>
	<p><b>Step 3</b></p> <p>Fix the rear of the LCD chassis to the rear rack mounting rails using the M3.2 screws included.</p> <p>Tighten all M6 screws on the front and rear rails</p>
	<p><b>Step 4</b></p> <p>Complete the installation.</p>

Figure 4. Installation steps for mounting the RackView LCD Drawer

# Operating the RackView LCD Drawer

## OSD Operation

The OSD (On-Screen Display) is activated by pressing the membrane buttons on the front of the display frame. The push-button membrane control panel may be mounted horizontally or vertically on the LCD drawer, however the OSD operation is the same for all models.

### OSD Operation

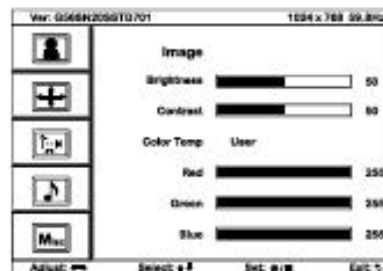


Membrane Switch	Function
	Turn the monitor on or off
	Display the OSD menu Act as an Enter key to select screen setting options
	Scroll through menu options and adjust the displayed control
	Exit the OSD screen Go back to the previous on-screen sub-menu or main menu

Remark : All LED touch buttons in **WHITE** light.

The LED of Power touch button will flash continuously when there is no signal input.

- ① All the LED touch buttons will automatically turn off after 10 minutes of idle status ( except the Power ).
- ② Light up all membrane buttons, please press any button for 1 - 2 seconds ( except the Power ).



#### OSD Configuration Page

	<b>Image:</b> for the brightness, contrast, color temp, red, green, and blue
	<b>Geometry:</b> for the auto adjust, H position, V position, phase and clock
	<b>Video:</b> for the colour, tint, sharpness, noise reduction, DCDI and TV Setup
	<b>Audio:</b> for volume, bass, treble, balance, A/VL and mute
	<b>Misc:</b> for the language, OSD position, graphic mode, ratio, reset and timer

Figure 5. OSD operation and control

## OSD configuration and settings

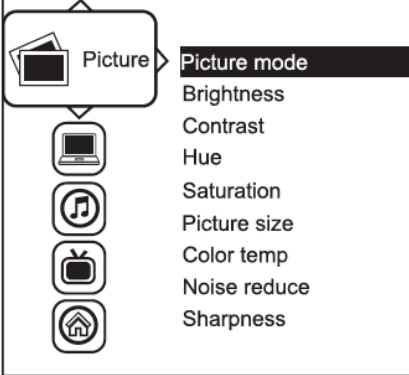
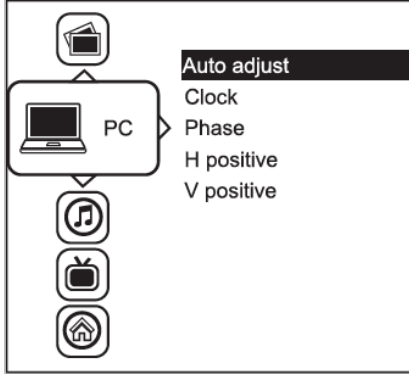
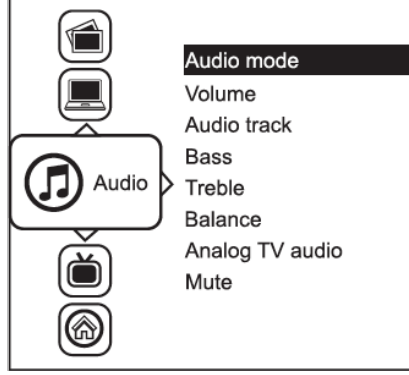
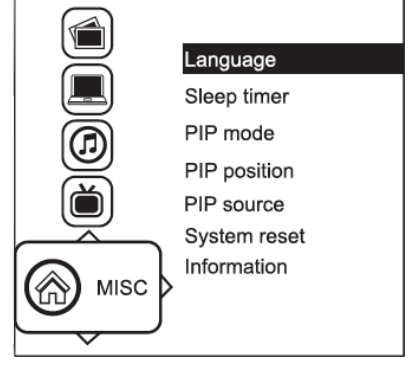
 <p>The 'Picture' menu is selected, showing options: Picture mode, Brightness, Contrast, Hue, Saturation, Picture size, Color temp, Noise reduce, and Sharpness.</p>	<p><b>Picture</b></p> <p>Picture mode: Standard / Vivid / Soft / User mode to choose</p> <p>Brightness: Adjust background black level of the screen image</p> <p>Contrast: Adjust the difference between the image background (black level) and the foreground (white level)</p> <p>Hue: Adjust the screen hue value</p> <p>Saturation: Adjust the saturation of the image color</p> <p>Picture size: Adjust the image size</p> <p>Color temp: Standard / Cool / Warm / User to choose</p> <p>Noise reduce: Reduce the noise of the image</p> <p>Sharpness: Adjust the image from weak to sharp</p>
 <p>The 'PC' menu is selected, showing options: Auto adjust, Clock, Phase, H positive, and V positive.</p>	<p><b>PC</b></p> <p>Auto adjust: Automatically adjust sizes, centers and fine tunes the video signal to eliminate waviness and distortion.</p> <p>Clock: Adjust the clock value</p> <p>Phase: Adjust the phase value</p> <p>H. Position: Align the screen image left or right</p> <p>V. Position: Align the screen image up or down</p>
 <p>The 'Audio' menu is selected, showing options: Audio mode, Volume, Audio track, Bass, Treble, Balance, Analog TV audio, and Mute.</p>	<p><b>Audio</b></p> <p>Audio mode: Movie / Voice / Normal / Music mode to choose</p> <p>Volume: Adjust the volume of sound</p> <p>Bass: Set the value of bass sound</p> <p>Treble: Set the value of treble sound</p> <p>Balance: Set the balance value of treble and bass sound</p> <p>Analog TV audio: Set the value of analog TV audio sound</p> <p>Mute: Turn off the surrounding sound</p>
 <p>The 'MISC' menu is selected, showing options: Language, Sleep timer, PIP mode, PIP position, PIP source, System reset, and Information.</p>	<p><b>Misc.</b></p> <p>Language: Select the language in which the OSD menu is displayed - English</p> <p>Sleep timer: Set the off time</p> <p>PIP mode: Adjust picture in picture setting</p> <p>PIP position: Enter into PIP position</p> <p>PIP source: Enter into the Sub source and sound source</p> <p>System reset: Return the adjustment back to factory setting</p> <p>Information: Select for Help</p>

Figure 6. OSD configuration and settings

## PIP and PBP Operation

PIP (Picture-In-Picture) and PBP (Picture-By-Picture) settings are available for the following models;

- a) RackView LCD drawer 17" HD Widescreen
- b) RackView LCD drawer 17" FHD

The PIP/PBP will only function when 2 video sources are configured on the RackView LCD drawer chassis.




PIP and PBP Settings																			
	<p><b>PIP Mode</b></p> <p>Display the Sub screen in the Main screen.            OSD Menu → MISC → PIP Mode → Large / Small / OFF</p>																		
	<p><b>PIP Position</b></p> <p>Adjust the position of the Sub screen (top left, bottom left, top right, bottom right)            OSD Menu → MISC → PIP Position → top left / top right / bottom left / bottom right</p>																		
<table border="1" data-bbox="105 1077 784 1287"> <thead> <tr> <th>LCD Monitor</th> <th>Large Sub screen</th> <th>Small Sub screen</th> </tr> </thead> <tbody> <tr> <td>1920 x 1200</td> <td>552 x 414</td> <td>480 x 360</td> </tr> <tr> <td>1920 x 1080</td> <td>552 x 414</td> <td>480 x 360</td> </tr> <tr> <td>1440 x 900</td> <td>414 x 310</td> <td>360 x 270</td> </tr> <tr> <td>1366 x 768</td> <td>392 x 294</td> <td>340 x 254</td> </tr> <tr> <td>1280 x 1024</td> <td>368 x 276</td> <td>320 x 240</td> </tr> </tbody> </table>	LCD Monitor	Large Sub screen	Small Sub screen	1920 x 1200	552 x 414	480 x 360	1920 x 1080	552 x 414	480 x 360	1440 x 900	414 x 310	360 x 270	1366 x 768	392 x 294	340 x 254	1280 x 1024	368 x 276	320 x 240	<p><b>PIP Size</b></p> <p>Adjust the size of the Sub screen (Large / Small)            OSD Menu → MISC → PIP Mode → Large / Small</p>
LCD Monitor	Large Sub screen	Small Sub screen																	
1920 x 1200	552 x 414	480 x 360																	
1920 x 1080	552 x 414	480 x 360																	
1440 x 900	414 x 310	360 x 270																	
1366 x 768	392 x 294	340 x 254																	
1280 x 1024	368 x 276	320 x 240																	
	<p><b>PBP Mode</b></p> <p>Display the Sub screen next to the Main screen.            OSD Menu → MISC → PIP Mode → PBP</p>																		

Figure 7. PIP and PBP settings and operation

LCD Monitor	Main / Sub screen
1920 x 1200	955 x 716
1920 x 1080	955 x 716
1440 x 900	715 x 536
1366 x 768	678 x 508
1280 x 1024	635 x 476

### PBP Size

Adjust the size of the Sub-screen (Large/Small)  
 OSD Menu --- MISC --- PBP Mode --- Large/Small

### PIP / PBP Source

To select an input signal for PIP / PBP Sub screen.

OSD Menu → MISC → PIP Source → VGA / S-Video / Composite / DVI / HDMI / SDI / YPbPr / TV

Main \ Sub	VGA	S-Video	Composite	DVI-D	HDMI	SDI	YPbPr	TV
VGA	X	0	0	0	0	0	0	0
S-Video	0	X	X	0	0	0	0	X
Composite	0	X	X	0	0	0	0	X
DVI	0	0	0	X	X	0	0	0
HDMI	0	0	0	X	X	0	0	0
SDI	0	0	0	0	0	X	X	0
YPbPr	0	0	0	0	0	X	X	0
TV	0	X	X	0	0	0	0	X

Figure 8. PIP and PBP video sources

# PRODUCT SAFETY

---

---

## Safety

---

The RackView LCD drawer, like all electronic equipment, should be used with care. To protect yourself from possible injury and to minimize the risk of damage to the Unit, read and follow these safety instructions.

- Follow all instructions and warnings marked on this Unit.
- Except where explained in this manual, do not attempt to service this Unit yourself.
- Do not use this Unit near water.
- Assure that the placement of this Unit is on a stable surface.
- Provide proper ventilation and air circulation.
- Keep connection cables clear of obstructions that might cause damage to them.
- Use only power cords, power adapter and connection cables designed for this Unit.
- Keep objects that might damage this Unit and liquids that may spill, clear from this Unit. Liquids and foreign objects might come in contact with voltage points that could create a risk of fire or electrical shock.
- Do not use liquid or aerosol cleaners to clean this Unit. Always unplug this Unit from the power source before cleaning.

Remove power from the unit and refer servicing to a qualified service center if any of the following conditions occur:

- The connection cables are damaged or frayed.
- The Unit has been exposed to any liquids.
- The Unit does not operate normally when all operating instructions have been followed.
- The Unit has been dropped or the case has been damaged.
- The Unit exhibits a distinct change in performance, indicating a need for service.



# SERVICE AND MAINTENANCE

---

---

## Maintenance and Repair

---

This Unit does not contain any internal user-serviceable parts. In the event a Unit needs repair or maintenance, you must first obtain a Return Authorization (RA) number from Rose Electronics or an authorized repair center. This Return Authorization number must appear on the outside of the shipping container.

See Limited Warranty for more information.

When returning a Unit, it should be double-packed in the original container or equivalent, insured and shipped to:

Rose Electronics

Attn: RA \_\_\_\_\_

10707 Stancliff Road

Houston, Texas 77099 USA

## Technical Support

---

If you are experiencing problems, or need assistance installing your product, consult the appropriate section of this manual. If, however, you require additional information or assistance, please contact the Rose Electronics Technical Support Department at:

Phone: (281) 933-7673

E-mail: [TechSupport@rose.com](mailto:TechSupport@rose.com)

Web: [www.rose.com](http://www.rose.com)

Technical Support hours are from: 8:00 am to 6:00 pm CST (USA), Monday through Friday.

Please report any malfunctions in the operation of this Unit or any discrepancies in this manual to the Rose Electronics Technical Support Department.

---

# APPENDICES

## Appendix A – Specifications

### RackView LCD Drawer - 17" Models

RackView LCD drawer	17" 4K	17" LCD	17" Widescreen LCD	17" HI-RES LCD
Dimensions (in) W x D x H (mm)	17.4x18.9x1.73 441.6x480x44	17.4x19.7x1.73 441.6x500x44	17.4x18.9x1.73 441.6x480x44	17.4x18.9x1.73 441.6x480 x44
Weight	24.2lbs (11kg)	23lbs (10.5kg)	24.2lbs (11kg)	24.2lbs (11kg)
Display Size	17.3" TFT	17" TFT	17.3" TFT	17.1" TFT
Video Connectors	DisplayPort 1.2	DVI-D and VGA	DVI-D and VGA	DVI-D and VGA
Video (optional)	SDI, HDMI2.0	HDMI1.2, AV	SDI, HDMI1.3	SDI, HDMI1.3
Audio (optional)	3.5mm In/Out	3.5mm In/Out	3.5mm In/Out	3.5mm In/Out
Resolution	3840 x 2160	1280 x 1024	1920 x 1080p	1920 x 1200 HD
Brightness (cd/m2)	400	250	400	210
Backlight Type	LED	CCFL	LED	LED
Colors	16.7M, 8-bit	16.7M	16.7M, 8 Bit	16.7M, 8-bit
Contrast Ratio	1000:1	1000:1	600:1	600:1
Viewing Angle		160° x 160°	160° x 140°	130° x 110°
Display Area H/V	382 x 215mm	338 x 270mm	382 x 215mm	367 x 230mm
Screen Surface	Anti-glare 3H	Haze 25%. Hard	Anti-glare. Hard	Anti-glare. Hard
Response Time	30ms	5ms	40ms	30ms
Dot Pitch (mm)	0.0995	0.264	0.1989	0.191
MTBF (hours)	20,000	50,000	50,000	20,000
PIP function	No	No	No	Yes
Touchscreen-USB	Yes (Res only)	Yes (Cap or Res)	Yes (Res only)	Yes (Cap or Res)
Consumption (Watt)	Max 29 / Idle 9	Max 25 / Idle 4	Max 25 / Idle 4	Max 34 / Idle 4

### RackView LCD Drawer - 19" and 20" Models

RackView LCD drawer	19" LCD	19" Widescreen LCD	20" LCD
Dimensions (in) W x D x H (mm)	17.4x19.7x1.73 441.6x500x44	17.4x18.1x1.73 441.6x460x44	17.3x25.6x1.73 440x650x44
Weight	27.5lbs (12.5kg)	28.6lbs (13kg)	29.7lbs (13.5kg)
Display Size	19" TFT	19" Wide TFT	20.1" TFT
Video Connectors	DVI-D and VGA	DVI-D and VGA	DVI-D and VGA
Video (optional)	HDMI1.2, AV	SDI, HDMI1.2, AV	HDMI1.2, AV
Audio (optional)	3.5mm In/Out	3.5mm In/Out	3.5mm In/Out
Resolution	1280 x 1024	1440 x 900	1600 x 1200
Brightness (cd/m2)	250	300	300
Backlight Type	LED	CCFL	CCFL
Colors	16.7M	16.7M	16.7M
Contrast Ratio	1000:1	1000:1	800:1
Viewing Angle	170° x 160°	160° x 160°	178° x 178°
Display Area H/V	376 x 301mm	408 x 255mm	408 x 306mm
Screen Surface	Haze 25%. Hard	Haze 25%. Hard	Anti-glare. Hard
Response Time	5ms	5ms	16ms
Dot Pitch (mm)	0.294	0.1989	0.255
MTBF (hours)	30,000	50,000	45,000
PIP function	No	No	No
Touchscreen-USB	Yes (Cap or Res)	No	No
Consumption (Watt)	Max 25 / Idle 4	Max 25 / Idle 4	Max 48 / Idle 5

#### Specifications common to all RackView LCD Drawer models

AC Power	100-240VAC, 50/60HZ
DC Power (option)	12V / 24V / 48V / 125V / 250V terminal block
Video Signal	VGA (Analog 0.7Vp-p). DVI-D (TMDS single link)
Shock / Vibration	Shock: 10G acceleration (11ms duration). Vibration: 5~500Hz 1G RMS random vibration. (4K Model: 10~300Hz, 0.5G)
Audio (option)	2 x 3.5mm with L/R Speakers. Impedance 30KΩ / 750mV. (HDMI /DisplayPort Model) Speaker Power – 2*2W.
Temperature	Operating Temperature: 32°F to 131°F / 0°C to 55°C Storage Temperature: -4°F to 140°F / -20°C to 60°C
Relative Humidity	5 to 90% non-condensing
Approvals	FCC, CE, RoHS2, Reach

## Appendix B – Part Numbers

RV1-LCDA17/4K/Kn	17" LCD drawer 4K, 3840×2160, DisplayPort
RV1-LCDA17/Kn	17" LCD drawer 1280×1024, VGA and DVI
RV1-LCDA17/DWS/HD/Kn	17" LCD drawer Widescreen, 1080p, VGA and DVI
RV1-LCDA17/FHD/Kn	17" LCD drawer Full HD, 1920×1200, VGA and DVI
RV1-LCDA19/Kn	19" LCD drawer 1280×1024, VGA and DVI
RV1-LCDA19/WS/Kn	19" LCD drawer/Widescreen 1440×900, VGA and DVI
RV1-LCDA20/Kn	20" LCD drawer Widescreen, 1600×1200, VGA and DVI
<b>RackView LCD drawer options</b>	
/TSR	Resistive USB Touchscreen
/TSC	Capacitive USB Touchscreen
/HM	HDMI video with speakers
/AV	S-Video+Composite with audio
/SD	3G/HD/SD-SDI video
/nnnDC	12/24/48/125/250V DC power
/K4	VGA Cable, M/M 6ft (2.0m)
/K5	DVI Cable, M/M 6ft (2.0m)
/K6	DisplayPort Cable, M/M 6ft (2.0m)
/K7	HDMI Cable, M/M 6ft (2.0m)

## Appendix C – Weight and Dimensions

### RackView Weight and Dimensions

Model	Product Dimension (W × D × H) approx	Packing Dimension (W × D × H) approx	Net Weight	Gross Weight
17" 4K Display	17.4×18.9×1.73 inch 441.6×480×44 mm	23.1 x 29.8 x 4.7 inch 588 x 758 x 120 mm	24.2lbs (11kg)	33.0lbs (15kg)
17" LCD Display	17.4×19.7×1.73 inch 441.6×500×44 mm	23.1 x 29.8 x 4.7 inch 588 x 758 x 120 mm	23lbs (10.5kg)	36lbs (16.5kg)
17" LCD Widescreen	17.4×18.9×1.73 inch 441.6×480×44 mm	23.1 x 29.8 x 4.7 inch 588 x 758 x 120 mm	24.0lbs (11kg)	33.0lbs (15kg)
17" LCD High-Res	17.4×18.9×1.73 inch 441.6×480 ×44 mm	23.1 x 29.8 x 4.7 inch 588 x 758 x 120 mm	24.0lbs (11kg)	33.0lbs (15kg)
19" LCD Display	17.4×19.7×1.73 inch 441.6×500×44 mm	23.1 x 29.8 x 4.7 inch 588 x 758 x 120 mm	27.5lbs (12.5kg)	41lbs (18.5kg)
19" LCD Widescreen	17.4×18.1×1.73 inch 441.6×460×44 mm	23.1 x 29.8 x 4.7 inch 588 x 758 x 120 mm	28.6lbs (13kg)	37.4lbs (17kg)
20" LCD Display	17.3×25.6×1.73 inch 440×650×44 mm	23.4 x 33.9 x 5.5 inch 595 x 860 x 140 mm	30.0lbs (13.5kg)	39.0lbs (17.5kg)

Table 1. RackView LCD Drawer – weights and dimensions

The above package content is only for the single RackView LCD models. The package size and weight varies with options such as HDMI, AV, SD, Touchscreen, and DC power, as below

**Rack depth** for the 17" and 19" model changes from to 19.7 inch (500mm) to 22.45 inch (570mm)

**Rack depth** for the 17" WS and 17" FHD models changes to 18.9 inch (480mm) to 20.86 inch (530mm)

**Rack depth** for the 19" WS model changes from to 18.1 inch (460mm) to 20.86 inch (530mm)

## Appendix D – Touchscreen Options

### RackView LCD Drawer with Touchscreen

The RackView LCD drawers can be ordered with optional USB-HID touchscreen support. In most cases, the touchscreen can be either Resistive or Capacitive type, as shown in the table below.

The RackView with touchscreen option includes a 6ft (2.0m) USB cable and a CD including operating instructions.

### RackView with Touchscreen options

Features	Resistive Touchscreen	Capacitive Touchscreen
Display Size (availability)	All models (except the 19" WS and 20")	17", 17"FHD and 19" models
Technology	5-Wire Resistive	Capacitive
Touch Point	Single	Single
Method	Stylus or Finger	Finger
Activation Force	≤ 50g / Stylus=R0.8	≤ 50g
Durability	10 ~ 35 million touches	300 million touches
Response Time	15ms	20ms
Optical Transmittance	80% ± 3%	87% ~ 93% ± 2%
Surface Hardness	3H	9H
Haze	8% ± 3%	7%
Connector	USB Type A	USB Type A
Compatibility	Windows 7 / XP / Vista, Linux	Windows 7 / XP / Vista, Linux
Glass (17" 4K Video)	Resistive: 17" - 3.2 ±0.2 mm	
Glass (17")	Resistive: 17" - 1.4 ±0.2 mm	
Glass (17")	Capacitive: 17" - 2.8mm±10	
Glass (17" DWS Widescreen)	Resistive: 17" DWS - 2.2 ±0.2 mm	
Glass (17" FHD)	Resistive: 17" FHD - 2.2 ±0.2 mm	
Glass (17" FHD)	Capacitive: 17" FHD - 2.8mm±10	
Glass (19")	Resistive: 19" - 3.2 ±0.2 mm	
Glass (19")	Capacitive: 19" - 2.8mm±10	

Table 2. Touchscreen options

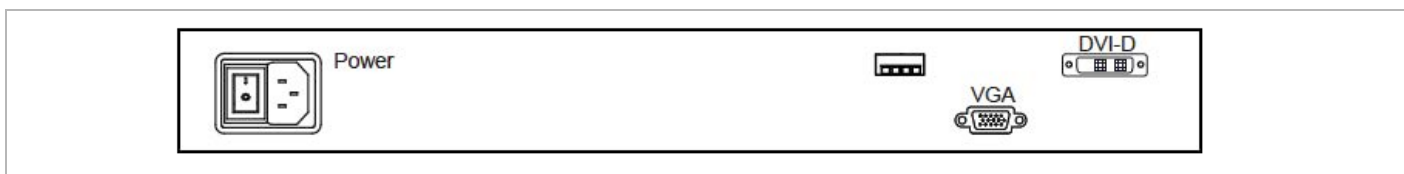


Figure 9. Schematic showing the back panel with the touchscreen option (USB-A) installed


Please follow the below steps to setup the touch screen:-

**Step 1.** Run the bundled CD disc

**Step 2.** Double click the Setup.exe

**Step 3.** Follow the installation instruction to finish the setup

**Step 4.** After installation, run the TouchKit program & the "4 point calibration"

 Please do the initial calibration after the first setup

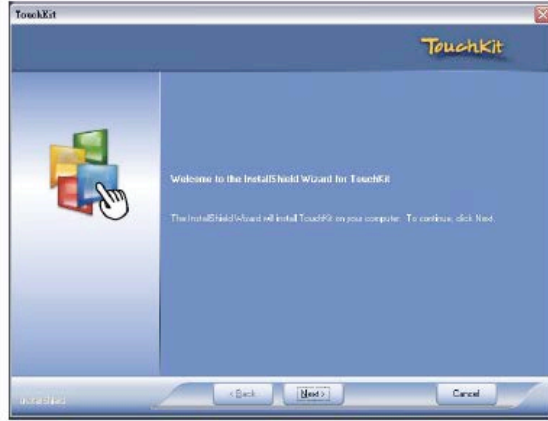


Figure 10. Touchscreen setup procedure

## Appendix E – RackView LCD Drawer Video Options

### RackView Video Options with HDMI, S-Video/BNC and 3G/SDI Video Interface


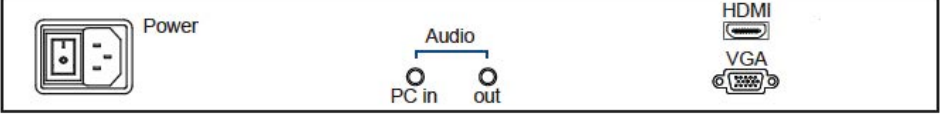
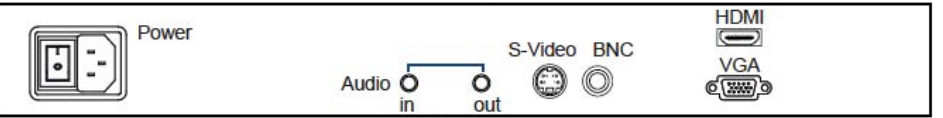
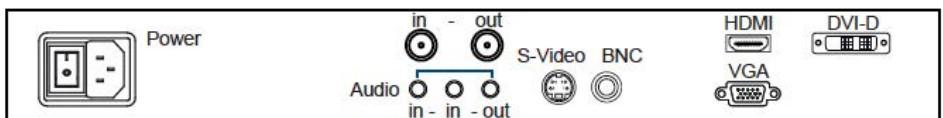
The following video options are available with the range of RackView drawer products

The RackView 17" 4K drawer has a DisplayPort 4K video interface as standard. All other RackView drawers have DVI and VGA as the standard video interface.

RackView Model	DVI + VGA (or HDMI + VGA)	HDMI + VGA + Audio	HDMI + VGA + BNC + Audio	DVI/HDMI/S- Video/SDI
17" 4K Display	DisplayPort 4K	DisplayPort 4K	DisplayPort 4K	DisplayPort 4K/SDI
17" LCD Display	Yes	Yes	Yes	No
17" LCD Widescreen	Yes	Yes	No	Yes
17" LCD High-Res	Yes	Yes	No	Yes
19" LCD Display	Yes	Yes	Yes	No
19" LCD Widescreen	Yes	Yes	Yes	Yes
20" LCD Display	Yes	Yes	Yes	Yes

Table 3. RackView LCD drawer video options

## RackView LCD Drawer Options – Rear Panel Layout View

	<p><b>RackView LCD drawer DVI / VGA (Standard)</b> Resolutions up to 1920×1200 DVI and VGA</p>
	<p><b>RackView LCD drawer HDMI/VGA/Audio Option</b> Resolutions up to 1920×1080 VGA, HDMI and Audio option</p>
	<p><b>RackView LCD drawer HDMI/S-Video/BNC Option</b> Resolutions up to 1920×1080 VGA, HDMI, BNC, Audio option</p>
	<p><b>RackView LCD drawer SDI Option</b> Resolutions up to 1920×1200 DVI, VGA, HDMI, S-Video/BNC and SDI options</p>

**Figure 11. Back Drawer of the RackView LCD drawer showing standard and optional connectors**

### Notes:

1. The SDI option comes with DVD, VGA, HDMI, S-Video/BNC and SDI connectors
2. The audio jacks are for 3.5mm stereo audio in and out, and 2W + 2W speakers installed
3. All Video/Audio options must be factory fitted at the time of order

## Video Formats (3G/HD/SD-SDI)

Description	Video Signal	Resolution/Refresh Rate/Signal
Input	3G-SDI In	BNC x 1 / 0.8Vp-p (75 ohm)
	3G-SDI Out	BNC x 1 / Active through, equalized & relocked
Standard Compliance	Video	SMPTE 425M / 274M / 296M / 125M ITU-R BT.656
	Audio	SMPTE 299M / 272M-C
Compatible Video Format	3G-SDI	1080p@60 / 50Hz, 4:2:2 1080p@30 / 25 / 24Hz, 4:4:4 1080i@60 / 50Hz, 4:4:4 and 720p@60 / 50Hz, 4:4:4
	HD-SDI	1080p@30 / 25 / 24Hz, 4:2:2 1080i@60 / 50Hz, 4:2:2 and 720p@60 / 50Hz, 4:2:2
	SG-SDI	480i @60Hz, 4:2:2
	ITU-R BT.656	576i @50Hz, 4:2:2
Compatible Audio Format	3G-SDI	48kHz, 16 / 20 / 24-bit, 2 Channel, Synchronized Video
	HD-SDI	48kHz, 16 / 20 / 24-bit, 2 Channel, Synchronized Video
	SG-SDI	48kHz, 16 / 20 / 24-bit, 2 Channel, Synchronized / Asynchronized Video
Max transmission distance 75-ohm coaxial cable	3G-SDI	150m at 2.97Gb/s
	HD-SDI	250m at 1.485Gb/s
	SG-SDI	480m at 270Mb/s

**Table 4. 3G/HD/SD-SDI video formats**

## Video Formats (DVI-D and VGA)

<b>DVI-D / VGA Input</b>	<b>PC Signal</b>	<b>Resolution/Refresh Rate</b>
Applies to 20" model only	Applies to 20" model only	1600 x 1200 x 60Hz
Applies to 20" model only	Applies to 20" model only	1400 x 1050 x 60Hz
Applies to 20" model only	Applies to 20" model only	1440 x 900 x 60Hz
Applies to 20" model only	Applies to 20" model only	1360 x 768 x 60Hz
Applies to 19" Widescreen	Applies to 19" Widescreen	1440 x 900 x 60Hz
Applies to 17" FHD model	Applies to 17" FHD model	1920 x 1200 x 60Hz
Applies to 17" FHD model	Applies to 17" FHD model	1360 x 768 x 60Hz
Applies to 17" DWS model	Applies to 17" DWS model	1920 x 1080 x 60Hz
Applies to 17" DWS model	Applies to 17" DWS model	1360 x 768 x 60Hz
Applies to all models	Applies to all models	1280 x 1024 x 60Hz / 75Hz
Applies to all models	Applies to all models	1280 x 960 x 60Hz
Applies to all models	Applies to all models	1280 x 768 x 60Hz / 75Hz
Applies to all models	Applies to all models	1152 x 864 x 75Hz
Applies to all models	Applies to all models	1024 x 768 x 60Hz / 70Hz / 75Hz
Applies to all models	Applies to all models	848 x 480 x 60Hz
Applies to all models	Applies to all models	800 x 600 x 60Hz / 72Hz / 75Hz
Applies to all models	Applies to all models	720 x 400 x 70Hz
Applies to all models	Applies to all models	640 x 480 x 60Hz / 72Hz / 75Hz
Applies to all models	Applies to all models	640 x 400 x 70Hz
Applies to all models	Applies to all models	640 x 350 x 70Hz
<b>HDMI Input</b>	<b>PC Signal</b>	<b>Resolution/Refresh Rate and notes</b>
Applies to 17" Widescreen, and 17" FHD models only		1080p, 50 / 60Hz
Applies to all models	Applies to all models	720p, 50 / 60Hz
Applies to all models	Applies to all models	480p, 60 Hz
Applies to all models	Applies to all models	576p, 50 Hz
	Audio Signal	2-channel linear PCM (32 / 44.1/48 KHz)
	Speaker	Dual stereo speaker, 2x2W

**Table 5. DVI-D, VGA, and HDMI video formats**

## Appendix F – RackView DC Power Options

### RackView DC Power

The RackView LCD drawers can be ordered with optional DC power input as specified in the table below. Select the DC voltage required, then add the voltage to the RackView part number as /nnnDC. For example, adding 48VDC to a RackView 17” would result in **RV1-LCDA17/Kn/48DC** part number.

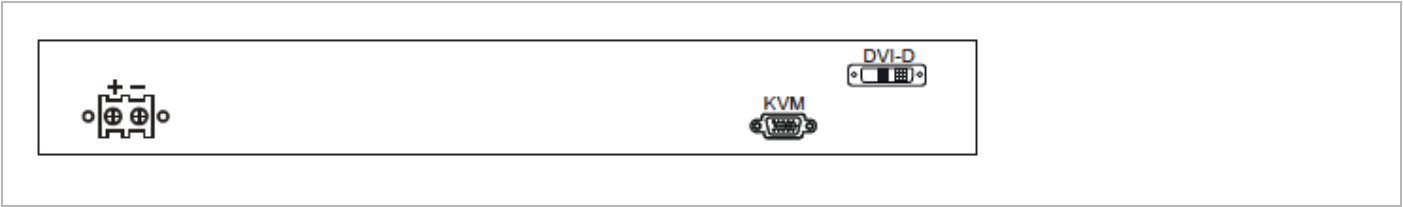


Figure 12. RackView LCD drawer with DC power connector fitted

Model	12V	24V	48V	125V	250V
<b>Input rating</b>					
Input voltage:	12-Volt	24-Volt	48-Volt	110-Volt	300-Volt
Input range:	9 ~ 18V	18 ~ 36V	36 ~ 75V	66 ~ 160V	180 ~ 425V
Input current					
- No load	50 mA	50 mA	50 mA	35 mA	10 mA
- Full load	4950 mA	2450 mA	1220 mA	749 mA	600 mA
<b>Output rating</b>					
Output voltage:	12-Volt	12-Volt	12-Volt	12-Volt	12-Volt
Output current:	4.16A	4.16A	4.16A	6.25A	12.5A
<b>Efficiency</b>	84%	85%	85%	91%	86%

Figure 13. RackView DC power options

The DC power option excludes the AC power adapter and power cord



ROSE.COM

---

**WWW.ROSE.COM** ▪ **sales@rose.com** ▪ **(800) 333-9343**

Rose Electronics ▪ 10707 Stancliff Road ▪ Houston, Texas 77099  
Rose USA (281) 933-7673 ▪ Rose Europe +49 (0) 2454 969442  
Rose Asia +65 6324 2322 ▪ Rose Australia +61 (0) 421 247083



**WWW.ROSE.COM**