

## Product Headlines

### The Cap is Back!

We have more Rose Caps to give away. Simply answer this month's Trivia Question. You'll find the question and last month's answer further down in the Newsletter.

### DVI for KVM Drawers

Our 19" Rackview KVM Drawer (rack mounted keyboard/monitor) now comes with a DVI/VGA interface. The Digital Video interface delivers a clearer picture and higher resolution which significantly exceeds analog capability.

### UltraLink Lite 50% Off Promo KVM/IP at its best

Extended to 1/31/05. Take advantage of this limited time Reseller only Newsletter offer. E-mail us at sales@rose.com or call 281-933-7673. See the September Newsletter for details.



## In the Spotlight...

# A New Year...A New Rose

**Houston, TX** – It has been a great year for us in 2004 and we are looking forward to an even better one next year. To kick off 2005, just a few weeks from now, Rose Electronics will begin the rollout of several exciting new products that will jump-start the new year for all of us.

January will also bring the launching of the new Rose web site, which will have a fresh new look, new products, comprehensive product data and all the resource tools and information you need.

As we close out this year and welcome in 2005, we want to extend our thanks to our vast reseller network and the many companies that have trusted Rose products over the past 20 years. We wish each of you a Merry Christmas, Happy Holidays and a great New Year.

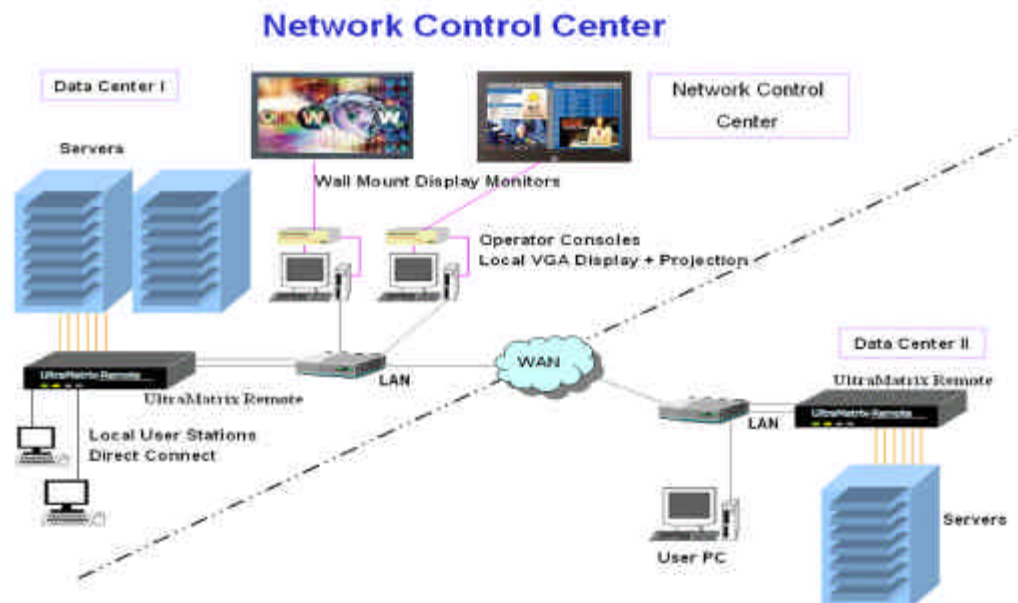


Get ready to unwrap the future. Rose 2005...Coming Soon.

## Selling Points...

### \* Get Smart with Control

Control Centers, whether for monitoring a corporate network, an international data network, or a 911 Emergency Center rely on the abilities and stability of their personnel and computer equipment. The UltraMatrix Remote, our flagship KVM Matrix Switch with Integrated KVM access over IP, delivers the dependability and features most needed by Control Centers. This multiplatform switch is all that is needed to access, manage, control and monitor any computer in an enterprise, anywhere in the world.



## Did You Know?

... Rose has Video Splitter products that can split, extend and distribute VGA video up to 1,000 feet.

...Our KVM over IP products (UltraLink, UltraMatrix Remote) have a unique security feature that only permits specific predefined IP addresses to gain access to your network.

...The oldest living Rose is thought to be 1000 years old. Today it continues to flourish on the wall of the Hildesheim Cathedral of Germany.

## Upcoming Events

**January VAR Training**  
(Call to schedule time)

**Trade Shows**  
*CeBIT*  
March 10-16  
Hannover, Germany

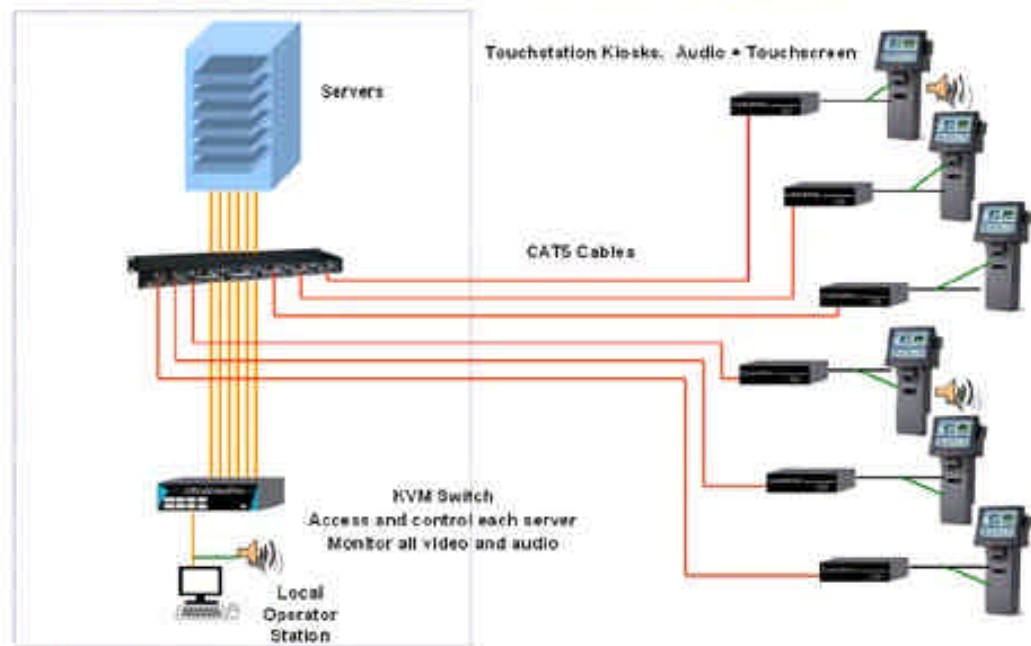
## Please Contact us...

**HEADQUARTERS-USA**  
Rose Electronics  
10707 Stancliff Road  
Houston, TX 77099 USA  
Tel 281 933 7673  
Fax 281 933 0044  
sales@rose.com  
www.rose.com  
**Europe**  
Tel +44 (0)1264 850574  
europesales@rose.com  
**Asia**  
Singapore  
Tel +65 6324 2322  
asiapacificsales@rose.com  
**Australia**  
Tel +617 3388 1540  
australiansales@rose.com  
nzsales@rose.com

## \* Distributed Kiosks

Over the next year, companies around the world will significantly increase the number of Touchscreen Kiosks that they deploy. Over the next year, you will see more and more Informational Kiosks in Malls, Airports, Hotels and many other public places. Since, in addition to being able to extend keyboard, video and mouse, our CrystalView KVM Extenders have the ability to extend serial and audio. Rose Electronics can design the solutions you need to make Kiosks work for you. Our CrystalView KVM Extenders deliver video and audio to Kiosks located up to 6 miles from your servers.

### Distributed Kiosk-Touchscreen Information System



To find out more about these applications, please call us at 1-800-333-9343 or e-mail us at sales@rose.com.



## Win With Rose Trivia Contest

### This Month's Question...

The Rose is the official flower of what State?

Win a Rose Cap by submitting your answer in a reply to this e-mail before 12:00 AM January 10, 2005. We will select 10 winners in a random drawing of all valid entries on January 10, 2005. We'll notify

winners immediately and post the answer in the next Newsletter. Good luck!

**Some of Last Month's Answers:** The Yellow Rose Of Texas, My Wild Irish Rose, Paper Roses, Run for the Roses, Rose Garden (aka I Never Promised You A Rose Garden), The Rose (Bette Midler), Red Roses for a Blue Lady, Roses – OutKast, Honeysuckle Rose, Every Rose Has Its Thorn – Poison, Days of Wine and Roses, A Rose Is Still a Rose, Lida Rose (Old Barbershop Quartet Tune)



281-933-7673

Copyright © 2004 Rose Electronics. All rights reserved. 10707 Stancliff Rd., Houston, TX 77099

We hope you find this Newsletter to be beneficial, however, if you prefer not to receive our next issue, simply reply to this e-mail and type, "Please do not send" in the subject line.