

RackView Sideways 21"

LARGE-SCREEN 21" KVM RACK DRAWER



- ▶ Easily accessed when facing sideways to rack
- ▶ DVI video up to 1920×1080
- ▶ Large-screen 21.5" widescreen TFT
- ▶ USB keyboard and touchpad mouse
- ▶ OSD function for configuring LCD display
- ▶ Select left or right side opening
- ▶ Optional trackball, HDMI, SDI video, and DC power
- ▶ Optional rear-mounted DVI/USB KVM switch

Features and Benefits

- Fold-forward 21.5" LCD display, keyboard, and mouse in a 1U sliding rack-drawer package
- Innovative sideways sliding drawer with left-side or right-side opening
- Resolution up to 1920×1080
- Bright active matrix TFT/LCD display
- Connects directly to a PC or KVM switch using either the DVI/USB or HDMI/USB interface
- 104-key USB keyboard and touchpad mouse
- Full size tactile keyboard with separate numeric keypad for typing comfort
- Power button turns off monitor power when the LCD monitor is folded shut
- Supports 16 different keyboard languages
- Molded front handle for easy grip, slide-out, and fold-away
- The OSD allows for easy adjustment of the input source, brightness, contrast, and color via front panel push-button control

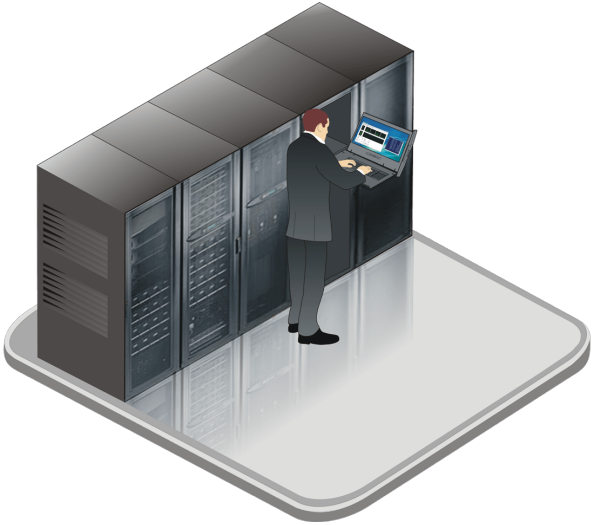
Product Overview

RackView Sideways 21" offers the latest and most efficient way to organize and streamline your server rooms or multiple computers. Since a 21" display is wider than a standard 19" rack, the rack mountable KVM station pulls out via its slide rails and the hinged display opens at right angles to the rack. The easy-glide KVM station contains a high-resolution bright active matrix TFT display that provides crisp images at up to 1920×1080, wide viewing angles, a tactile keyboard, and a 2-button touchpad mouse or trackball.

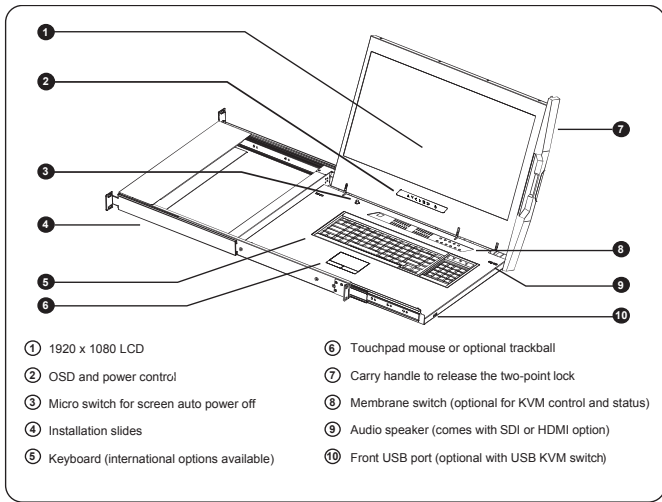
The KVM rack drawer can be placed at any height within a standard 19" rack, ensuring ease of use and takes up a minimum amount (1U) of rack space. Select between the left-side and right-side opening models to best fit the ergonomics of your rack room. The front panel neatly conceals the unit when it is not in use.

RackView 21" can be connected to a computer or any Rose Electronics DVI/HDMI KVM switch. Rose Electronics KVM switch options provide a versatile switching system with multi-user capability, controlled access to the servers, and many other features.

Typical Application



Installation RackView Sideways 21" is very easy to install. Simply adjust the rack-rail length to the depth of your rack, slide the unit through the rack, and secure the rack mount brackets to the front and rear rack rails with the supplied 8× M6 screws, cage nuts, and cup washers. A cable is supplied that connects the video, keyboard, and mouse signals to your host computer DVI or HDMI and USB.



Annotated diagram of Rackview Sideways 21"

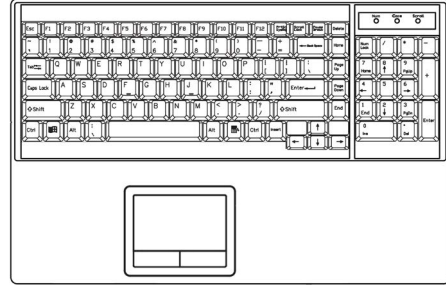


Rear panel of RackView Sideways 21" with DVI

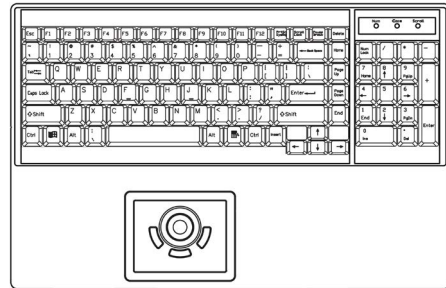


Rear panel of RackView Sideways 21" with HDMI

Keyboard and Mouse The RackView's tactile keyboard is a full size 104-key keyboard with a separate numeric keypad. International keyboard options are available. The product also has an integrated 2-button touchpad mouse. An optional trackball mouse is available.



US keyboard layout with touchpad



US keyboard layout with trackball

Options The RackView can be ordered with an external 4-port/8-port DVI/USB KVM switch or an internal 12-port DVI/USB KVM Switch. Other options are: trackball mouse, HDMI video input, SDI video input, DC power, and international keyboard layout.

Optional KVM Switch The optional single-user 12-port DVI/USB KVM switch can be mounted in the rear chassis frame. Six sets of CPU cables are included with the integrated Rackview + Switch kit.



DVI/USB KVM Switch

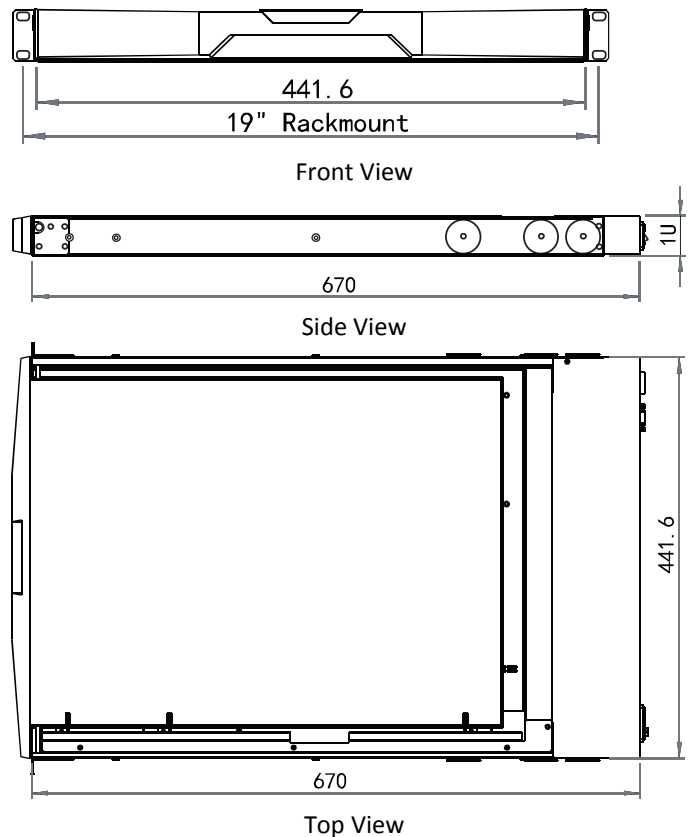
Specifications

Dimensions	17.4 x 26.4 x 1.73" (442x670x44mm)
Weight	Net: 32.3lb (14.7Kg) Gross: 41.6lb (18.9Kg)
Size (diagonal)	21.5" widescreen TFT color LCD
Max Resolution	1920x1080 native WUXGA
Signal Input	DVI-D single link or optional HDMI / SDI
Panel Type	Active Matrix TFT LCD, Anti-Glare
Display Area	476.64mm H x 268.11mm V
Dot Pitch	0.248mm
Viewing Angle	178° x 178° (L/R/U/D) 85/85/80/80
Contrast Ratio	1000:1
Brightness and backlight	White 250 cd/m ² LED
Supported Colors	16.7 million colors
Response Time	5ms
Connectors	1 x DVI-D Female Video 1 x HD-15 Female KB/Mouse 1 x IEC AC power connector Connects to DVI and USB type A on host computer with supplied cable
Plug and Play	VESA EDID 1.3 for DVI
Keyboard/Mouse	104 USB keyboard with touch pad mouse
Shock	10G acceleration (11ms duration)
Vibration	5-500Hz, 1G RMS random vibration
Power Source	Auto-sensing 100-240 VAC, 50/60Hz 24/48/125/250 VDC (option)
Power Consumption	Display on Max: 40 Watt Power Saving: 5 Watt
Temperature	Operating: 0 - 55 °C / 32 - 131 °F Storage: -20 - 60 °C / -4 - 140 °F
Humidity	20% - 90% non-condensing (RH)
Supported OS	Windows, Linux, Mac OS X, Sun
Chassis	Heavy duty steel materials – 1U height

Part numbers

RV1-CAKVT21L/K3	21" High-Resolution LCD Drawer, 1920 x 1080, left side opening
RV1-CAKVT21R/K3	21" High-Resolution LCD Drawer, 1920 x 1080, right side opening
OPTIONS add as suffix to part number above	
/KVM-12TDVI	12-port DVI/USB Switch + 6 cables
/HM	HDMI video option with 2x 2W speaker
/SD	3G/HD/SD-SDI video option with 2x 2W speaker
/KM	Trackball 2-button mouse
/nnnDC	24/48/125/250 DC power option
International KB	/UK, /DE, /FR, /SP, /IT, /NE, /NO, /RU, /SW, /PO, /CH, /JP, /KR, /AR, /TU

Dimensions



WWW.ROSE.COM ▪ **sales@rose.com** ▪ **(800) 333-9343**

Rose Electronics ▪ 10707 Stancliff Road ▪ Houston, Texas 77099
 Rose USA (281) 933-7673 ▪ Rose Europe +49 (0) 2454 969442
 Rose Asia +65 6324 2322 ▪ Rose Australia +61 (0) 421 247083

datasheet-rackview-sideways-21-2018-02-10

ROSE
ELECTRONICS
WWW.ROSE.COM